

SETTING NEW  
STANDARDS



HYPER  
GRINDER

HYPER  
GRINDER  
HYPERVAK  
200

HYPERVAK  
200

Aspirators for fine powders,  
Automatic cleaning filters and  
cyclone pre-separator.

MADE IN ITALY

# HYPERVAK 200



## HYPERVAK 200

Professional vacuum cleaner ideal for rapid suction of large quantities of fine dust and powders. Particularly suitable for dry grinding of natural stone, concrete, wood floors and in any job where the extraction of dust is required. The full automatic cleaning system (Hyper cleaning filter HSC), which cleans the filter with vibration and counter-blowing, is reliable and effective. It cleans the filters to a new condition with maximum efficiency. The high performance pre-separator cyclone removes up to 95% of the dust and extends the life of the filter. The continuous bag collection system makes dust emptying faster and easier. Hypervak 200 is also available with remote control on/off (RX version).

The robust structure gives the machine easy handling, high quality and great reliability. It is also easy to maintain to keep maintenance costs to a minimum. Also during transport it uses little space as possible, the height of the machine can be adjusted by itself to 175cm. Large wheels and wheels with brakes make traveling far easier.

**HYPERVAK 200 has 3 FILTRATION STAGES: 1 Cyclone - 2 Main Filter - 3 Hepa Filter.**

### TECHNICAL DATA

MODEL	Engine kW	Suction max mm H <sub>2</sub> O	Volt	Hertz	Amp	Surface filter cm <sup>2</sup>	Air Aspirated max m <sup>3</sup> /h	Tank lt	Dimensions LxPx cm	Weight Kg
Hypervak 200 T5 HSC	5,5	2400	380/480	50/60	16	97000	640	Continuous bag	137x203x60	159
Hypervak 200 T7 HSC	7,5	3875	380/480	50/60	16,7	97000	724	Continuous bag	127x203x60	165



# Professional dust-extractor for industrial quantities of fine dust.



Sturdy and durable cyclone.



Large HEPA filter.

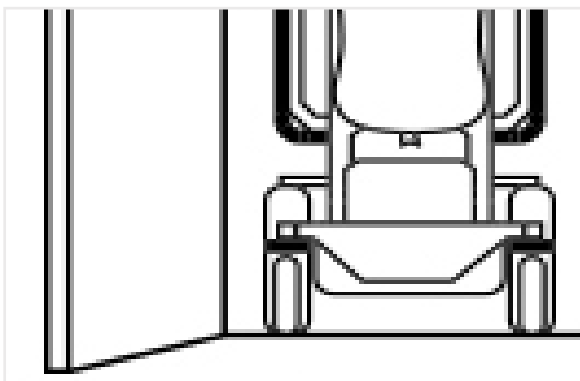


Valves for automatic filter cleaning.

The main drum is lowered to reduce the overall dimensions, facilitating the loading in the vans. The Cyclone pre-separator also has a position designed for transport.



Volume	Size	Weight
2,1 m <sup>3</sup>	160x80x155 cm	180 Kg



With a width of 65 cm, it passes through a standard door without any problems.



Continuous bag collection system and wheels with brakes.

# HYPERVAK ACCESSORI



## RICAMBI PRINCIPALI

MOT145	2,2kW 1F 220V 50Hz Motor
MOT198	4kW 3F 400V 50Hz Motor
MOT298	5,5kW 3F 400V 50Hz Motor
MAN108	Cartridge Filter D=228 H=615 mq=2.62 55 folds
PT072032	Filter 09-100
02876	Continuous bag 20m tube

## ACCESSORI Ø50MM - HYPERVAK 80/90/100/200/250/300 - Ingresso ø70mm



07434K5MT5	Flexible hose ø70/50 mm - 5 mt
07435K	Flexible hose Anti abrasion-antistatic ø70/50 mm - 5 mt
R7243	Double elbow chromate steel
R7865	Suction brush for dust
R7246	Suction brush for wet and dry
06866	60 cm Flat lance Chromate Steel
07177	30 cm Flat lance Chromate Steel
R7240	Inox bristle brush
R7259	Complete rubber Brush
R7260	Complete flat lance - Rubber
07067	Curved lance

## ACCESSORI Ø40MM - HYPERVAK

80/90/100/200/250/300 - Ingresso ø70mm



07428/70K5	Flexible ø60/40 - 5 mt.
00580	Double elbow Chromate steel
03892	Floor brush (for 0580)
03893	Squeegee brush (for 0580).
03894	Carpet brush (for 0580).
00003	Flat lance
06295	Round Brush
00001	Extension tube mt 0,5

## TUBOFLEX

00520K5	Tuboflex ø50/50 cpl mt5
07434K5MT5	Tuboflex ø50/70 cpl mt5
07410K5	Flexible hose antiabrasion-antistatic ø 50/50 mt5
07435K	Flexible hose antiabrasion-antistatic ø 50/70 mt5
0779757PSMT	Superflex antiabrasion-antistatic ø 70/70 mt5



**HG HYPER GRINDER S.R.L**  
 Via Ragazzi del '99, 7 | 65123 Pescara (PE) | ITALY  
 P.Iva 02223280682 | hypergrinder@pec.it | Tel +39 085 921 8160  
[www.hypergrinder.com](http://www.hypergrinder.com) | info@hypergrinder.com

Your Distributor: \_\_\_\_\_



rev.13092024